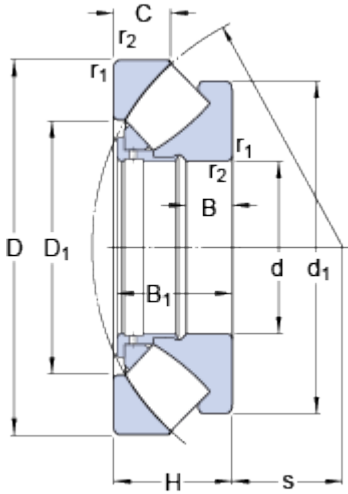


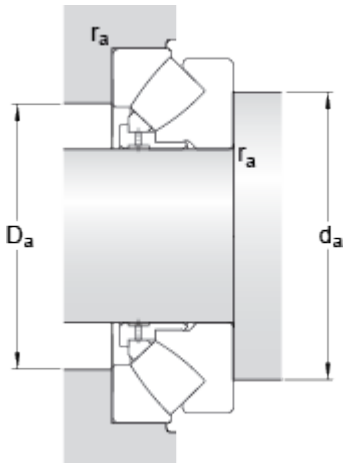
# 292/530

## Dimensions



d	530	mm
D	710	mm
H	109	mm
d <sub>1</sub>	≈ 675	mm
D <sub>1</sub>	≈ 608	mm
B	32	mm
B <sub>1</sub>	105	mm
C	56	mm
s	285	mm
r <sub>1,2</sub>	min. 5	mm

## Abutment dimensions



d <sub>a</sub>	min. 620	mm
D <sub>a</sub>	max. 655	mm
r <sub>a</sub>	max. 4	mm

## Calculation data

Basic dynamic load rating	C	3110	kN
Basic static load rating	C <sub>0</sub>	15300	kN
Fatigue load limit	P <sub>u</sub>	1220	kN
Reference speed		530	r/min
Limiting speed		850	r/min
Minimum axial load factor	A	22	

## Mass

Mass bearing		115	kg
--------------	--	-----	----